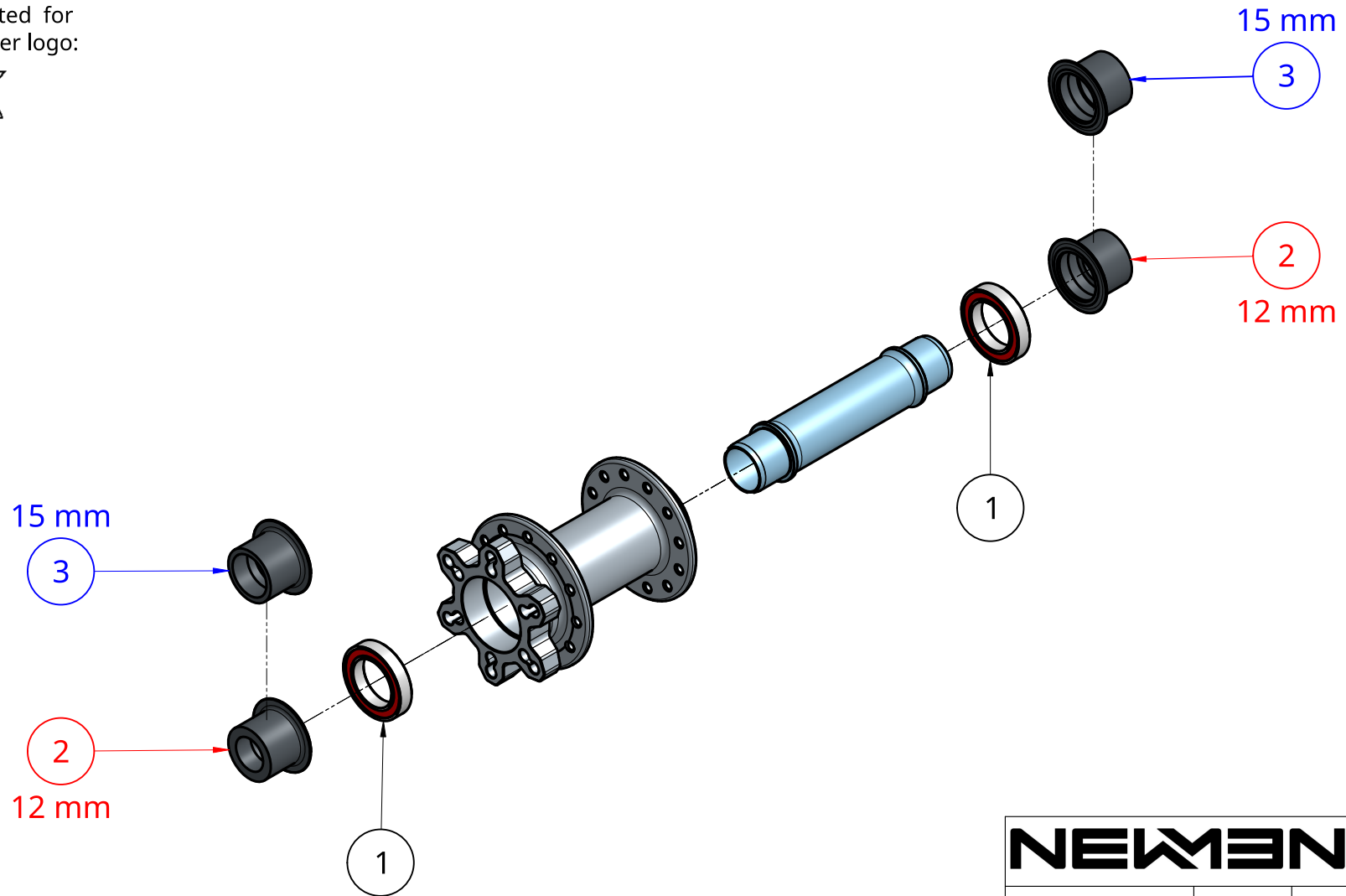


**NEWMEN front hub FADE K spare parts**

POS	ITEM	Description
1	89705	NEWMEN Bearing 17x26x5 Red
2	90720	NEWMEN Endcap Set front 12mm
3	90719	NEWMEN Endcap Set front 15mm

**Recommended tools for hub service:**  
90166 - NEWMEN Endcap Removal Tool 2

spare parts are suited for front hubs with laser logo:



<b>NEWMEN</b>		MG-Components GmbH & Co. KG Am Mühlbach 5c 87487 Wiggensbach Germany	
DO NOT SCALE DRAWING	SIZE: A4	SCALE: 1:2	SHEET 1 of 3
Alle Informationen unter Vorbehalt. Wir behalten uns Änderungen vor All information subject to change. We reserve the right to make changes			drawing date: 2024-07-31

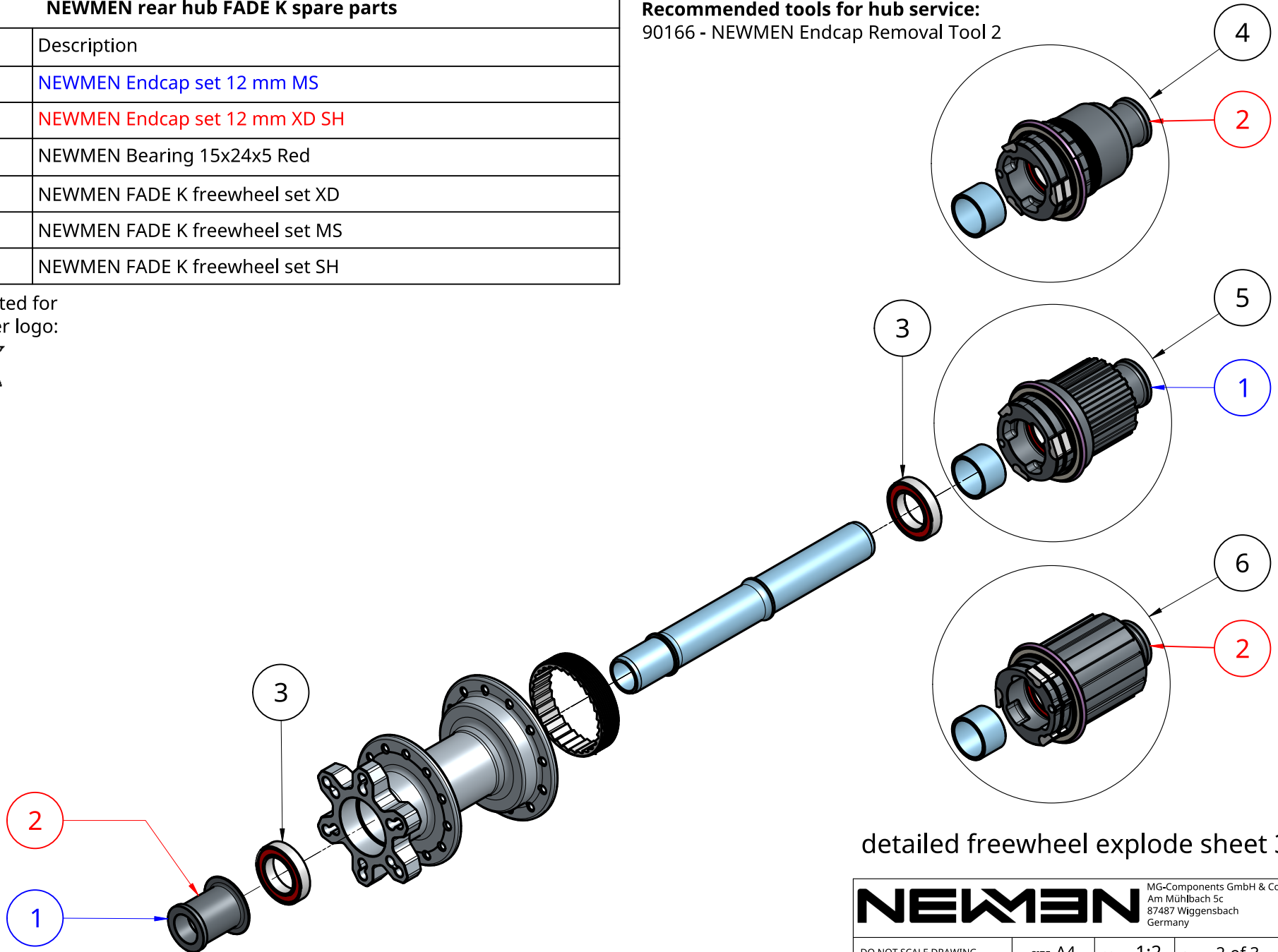
### NEWMEN rear hub FADE K spare parts

POS	ITEM	Description
1	89717	NEWMEN Endcap set 12 mm MS
2	89716	NEWMEN Endcap set 12 mm XD SH
3	89701	NEWMEN Bearing 15x24x5 Red
4	89713	NEWMEN FADE K freewheel set XD
5	89714	NEWMEN FADE K freewheel set MS
6	89715	NEWMEN FADE K freewheel set SH

spare parts are suited for rear hubs with laser logo:

**FADE K**

**Recommended tools for hub service:**  
90166 - NEWMEN Endcap Removal Tool 2



detailed freewheel explode sheet 3

<b>NEWMEN</b>		MG-Components GmbH & Co. KG Am Mühlbach 5c 87487 Wiggensbach Germany	
DO NOT SCALE DRAWING	SIZE: A4	SCALE: 1:2	SHEET 2 of 3
Alle Informationen unter Vorbehalt. Wir behalten uns Änderungen vor All information subject to change. We reserve the right to make changes			drawing date: 2024-07-31

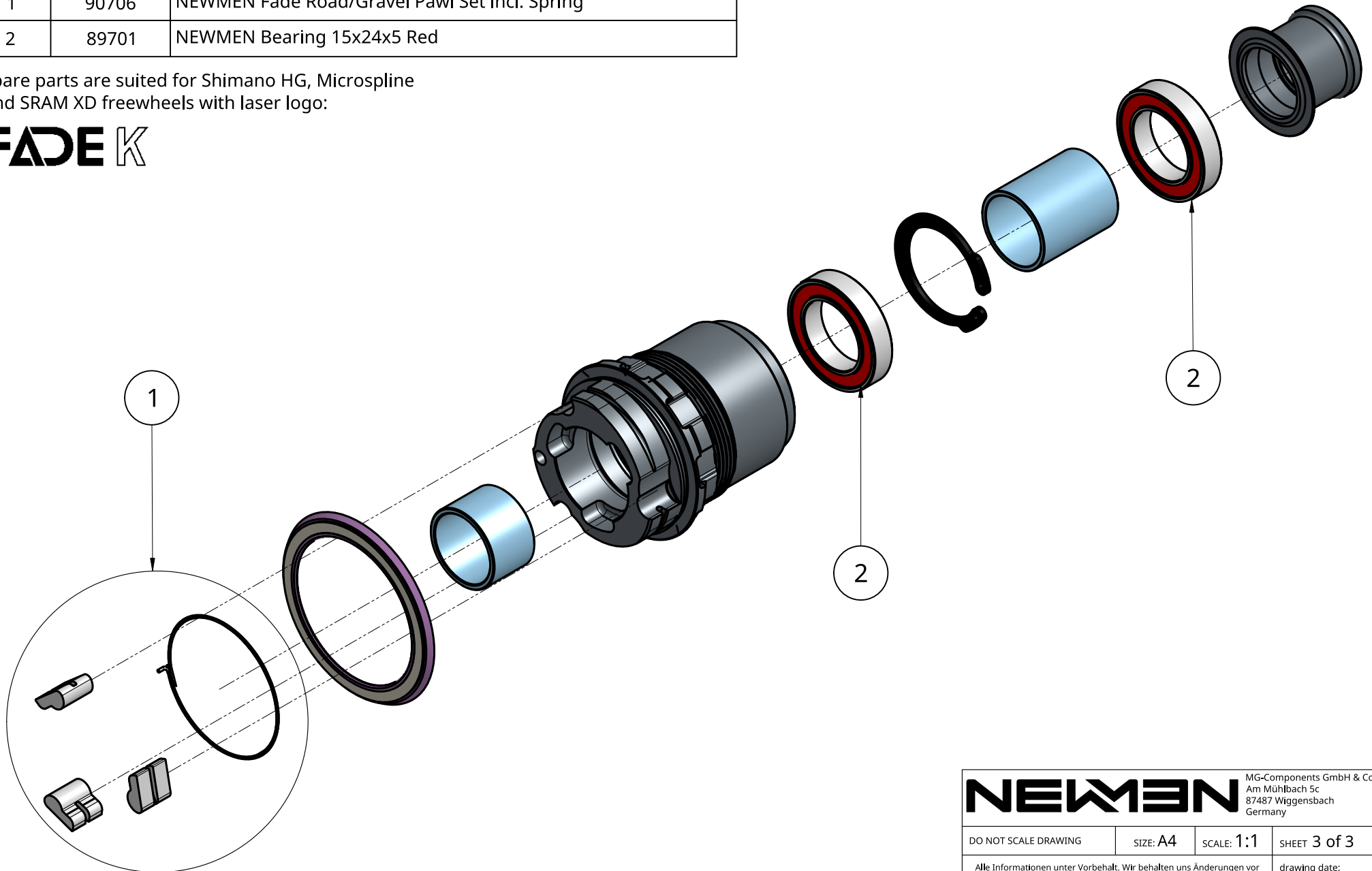
### NEWMEN freewheel FADE K spare parts

POS	ITEM	Description
1	90706	NEWMEN Fade Road/Gravel Pawl Set incl. Spring
2	89701	NEWMEN Bearing 15x24x5 Red

spare parts are suited for Shimano HG, Microspline and SRAM XD freewheels with laser logo:

# FADE K

**Recommended tools for hub service:**  
90166 - NEWMEN Endcap Removal Tool 2



<b>NEWMEN</b>		MG-Components GmbH & Co. KG Am Mühlbach 5c 87487 Wiggensbach Germany	
DO NOT SCALE DRAWING	SIZE: A4	SCALE: 1:1	SHEET 3 of 3
Alle Informationen unter Vorbehalt. Wir behalten uns Änderungen vor All information subject to change. We reserve the right to make changes		drawing date: 2024-07-31	